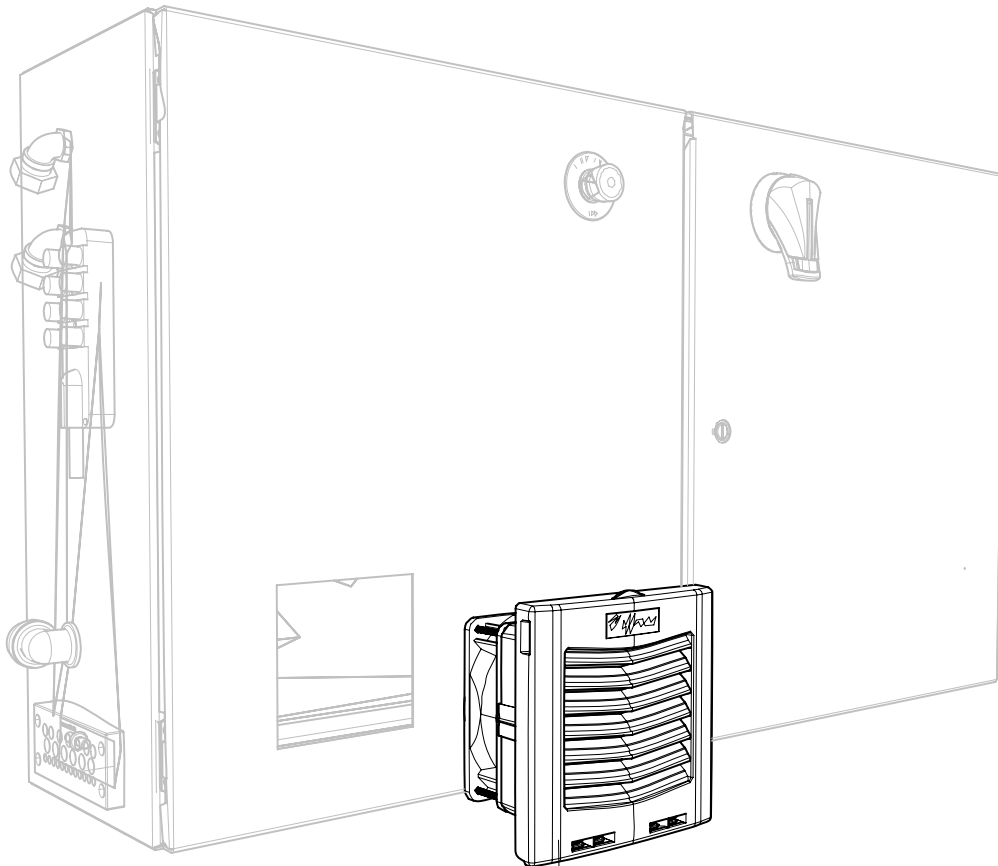
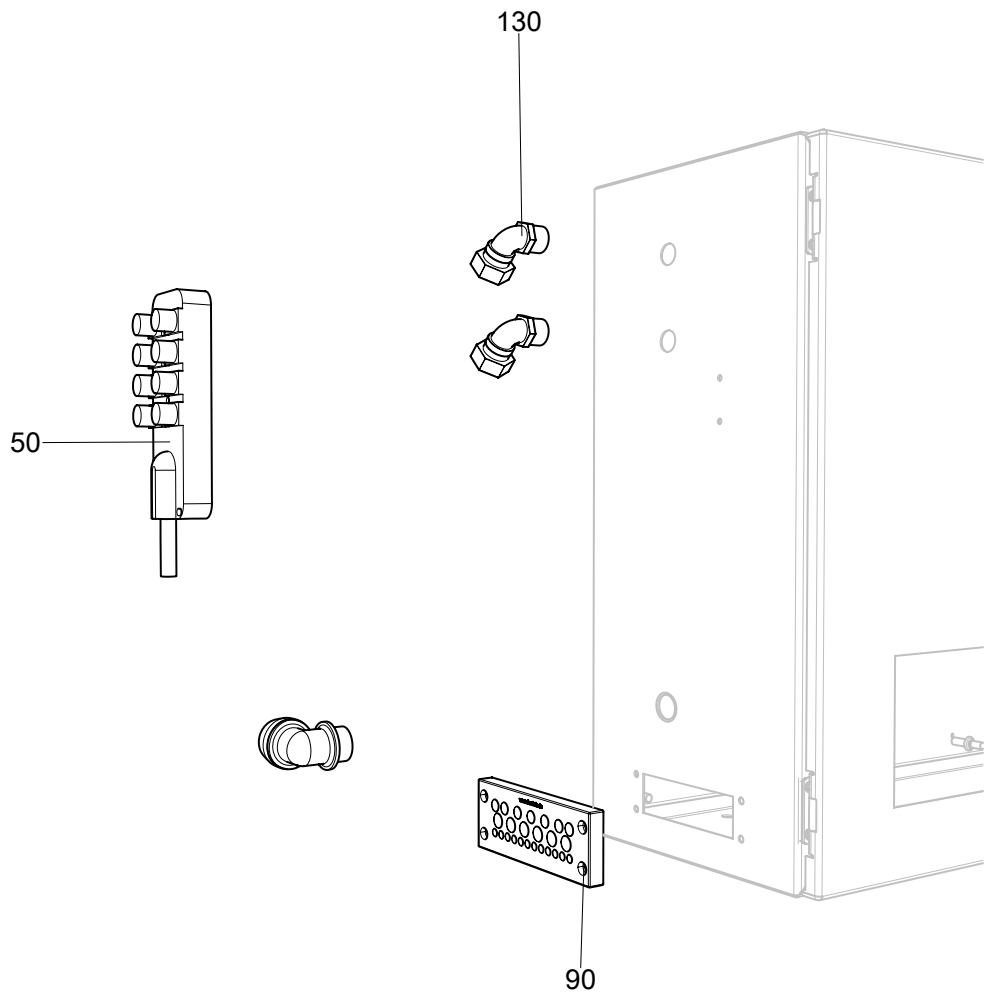


Overall Enclosure

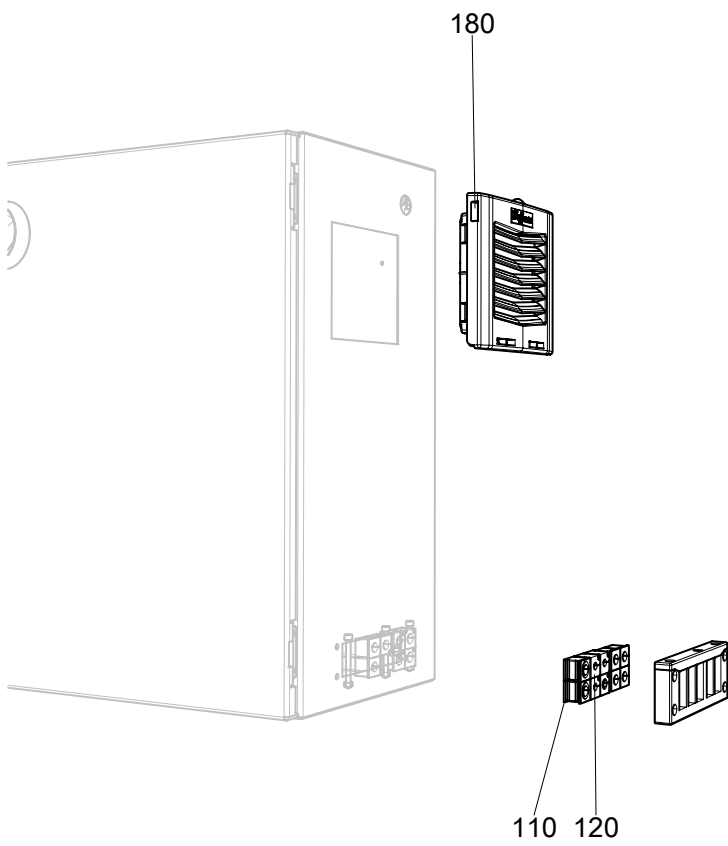


40

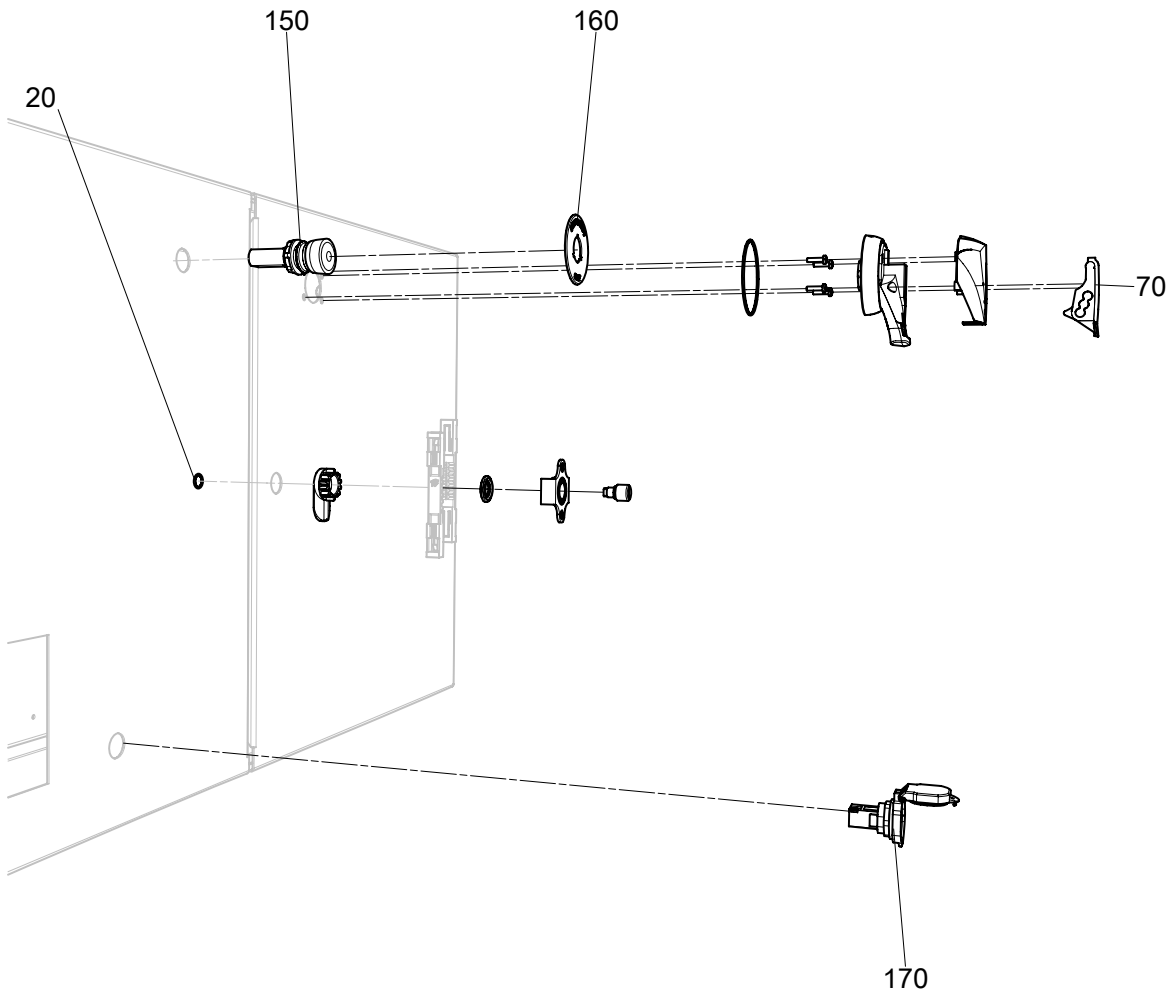
Exhaust Fan



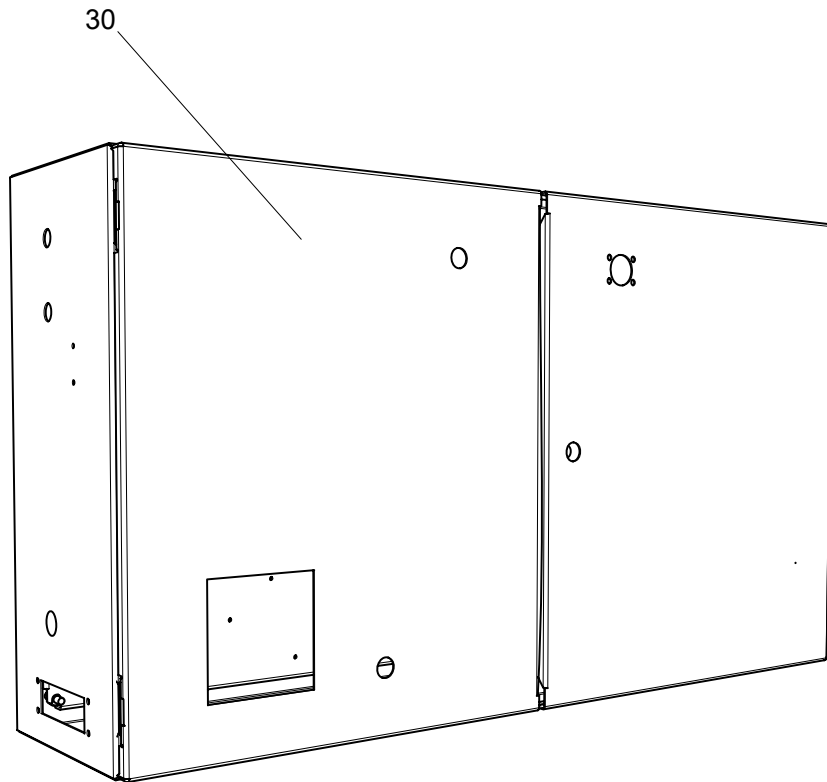
Left Side Parts



Right Side Parts



Front Panel Parts



Enclosure

| ITEM | DESCRIPTION | PART NO. | REV | QTY | INFO |
|------|--|-------------|-----|-----|------|
| 10 | FP 2-4 MAIN ENCLOSURE ASSEMBLY | ASSY-023738 | A | 1 | |
| 20 | •FP 2-4 STD MAIN ENCLOSURE (CTD244210LG) | ELEC-034276 | A | 1 | |
| 30 | •FP 2-4 HOFF CP2442G SUB-PANEL | ELEC-036271 | A | 1 | |
| 40 | •FAN, ALPS 27175101, HOFFMAN 5" FAN HF0524414 (24v) | ELEC-010495 | A | 1 | |
| 50 | •TINA 8A, 8 PORT CONNECTION BLOCK | ELEC-011802 | A | 1 | |
| 60 | •Cord grip, icotek, 54241, KEL-U-24 10, 10 insert cord grip | ELEC-036259 | A | 1 | |
| 70 | •Socomec handle, pistol, S1 type | ELEC-012402 | A | 1 | |
| 80 | •P0759BK FITTING LIQUIDTIGHT 3/4 90DEGREE | ELEC-011528 | A | 1 | |
| 90 | •Cord Grip, ICOTEK 43710, KEL-DPZ 24/25 | ELEC-035988 | A | 1 | |
| 100 | •41211, 11-12mm INSERT | ELEC-035991 | A | 4 | |
| 110 | •41251, GROMMET INSERT, BLANK | ELEC-035992 | A | 2 | |
| 120 | •41207, GROMMET INSERT, 7-8mm | ELEC-035993 | A | 4 | |
| 130 | •H0509, 1/2" Liquidtight 90° Connector | ELEX-008000 | A | 2 | |
| 140 | •01051 PLUG HOLE DOME 7/8 | ELEX-012568 | B | 1 | |
| 150 | •SWITCH, E-STOP, PUSHBUTTON, TINA, JOKAB 30-054-00 | ELEC-010884 | A | 1 | |
| 160 | •SIGN, E-STOP, JSESB-YD60, JOKAB 50-001-21 | LABX-035909 | A | 1 | |
| 170 | •RJ45-Panel-Mount-W/Ip67-Cap Turck | ELEC-011299 | A | 1 | |
| 180 | •GRILL, HOFFMAN, HG0500404, 5" EXHAUST GRILL KIT | ELEC-010496 | A | 1 | |